

DISTANCES IN THE HIGHLY SUPERCRITICAL PERCOLATION CLUSTER

BY ANNE-LAURE BASDEVANT, NATHANAËL ENRIQUEZ AND LUCAS GERIN

Université Paris-Ouest

On the supercritical percolation cluster with parameter p , the distances between two distant points of the axis are asymptotically increased by a factor $1 + \frac{1-p}{2} + o(1-p)$ with respect to the usual distance. The proof is based on an apparently new connection with the TASEP (totally asymmetric simple exclusion process).

1. Introduction. First passage percolation is a model introduced in the 1960s by Hammersley and Welsh [6] which asks the question of the minimal distance $D(x)$ between the origin $\mathbf{0}$ and a distant point x of \mathbb{Z}^2 , when edges have i.i.d. positive finite lengths. One can prove by subadditivity arguments that in every direction such distances grow linearly: for each $y \in \mathbb{Z}^2 \setminus \{0\}$, $D(ny)/n$ converges almost surely to a constant $\mu(y)$. The particular value of $\mu((1, 0)) =: \mu$ is called the time constant. It is unknown except in the trivial case of deterministic edge lengths. We refer the reader to [7] for an introduction on first passage percolation.

In this article we study the extreme case where edges have lengths 1 with probability $p \in (0, 1)$, $+\infty$ with probability $1 - p$. Then, the distance $D(x)$ coincides with the distance between the origin and x in the graph induced by bond percolation on \mathbb{Z}^2 : each edge of \mathbb{Z}^2 is open with probability p and closed with probability $1 - p$. When $p > 1/2$, it is known (see [5], Chapter 1, for an introduction to bond percolation) that there exists almost surely a unique infinite connected component of open edges. We write $x \leftrightarrow y$ if x, y belong to the same connected component, and $x \leftrightarrow \infty$ if x is in the infinite cluster.

Gärtner and Molchanov ([4], Lemma 2.8) were the first to rigorously prove that if $\mathbf{0}$ and x belong to the infinite component, $D(x)$ is of order x . Garet and Marchand ([3], Theorem 3.2) improved this result and showed that, even if the subadditivity argument fails, the limit still holds: for each $y \in \mathbb{Z}^2 \setminus \{0\}$, there exists a constant $\mu(y)$ such that, on the event $\{\mathbf{0} \leftrightarrow \infty\}$, we have a.s.

$$\lim_{\substack{n \rightarrow \infty \\ \mathbf{0} \leftrightarrow (n,0)}} \frac{D(ny)}{n} = \mu(y).$$

The aim of the present paper is to give an asymptotics of the time constant when p is close to one. One clearly has $D(n, 0) \geq n$. On the other side, among

Received November 2011; revised September 2012.

MSC2010 subject classifications. 60K35, 82B43.

Key words and phrases. First-passage percolation, supercritical percolation, TASEP.

the n edges of the segment joining $\mathbf{0}$ to $(n, 0)$, about $n(1 - p)$ of them are closed, but with high probability the two extremities of each such edge can be joined by a path of length three. This naive approach suggests an upper bound of $1 + 2(1 - p)$ for the time constant. To our knowledge, the best known upper bound comes from Corollary 6.4 of [3] and is equal to $1 + (1 - p)$. We obtain in the present paper a sharp asymptotics of the time constant when p goes to one.

THEOREM 1. *On the event $\{\mathbf{0} \leftrightarrow \infty\}$, we have a.s.¹*

$$\mu_p \stackrel{\text{def}}{=} \lim_{\substack{n \rightarrow \infty \\ \mathbf{0} \leftrightarrow (n,0)}} \frac{D(n, 0)}{n} = 1 + \frac{1 - p}{2} + o(1 - p).$$

Our result says that the graph distance and the L^1 distance asymptotically differ by a factor $1 + (1 - p)/2$. Note that Garett and Marchand ([3], Corollary 6.4) observed that these two distances coincide in all the directions inside a cone containing the axis $\{y = x\}$. The angle of this cone is characterized by the asymptotic speed of oriented percolation of parameter p , studied by Durrett [1].

The key ingredient of the proof relies on a correspondence between the synchronous *totally asymmetric simple exclusion process* (TASEP) on an interval and the graph distance on the percolation cluster inside an infinite strip.

2. First bounds on μ_p . We denote by \mathbf{P}_p the product measure on the set of edges of \mathbb{Z}^2 of length 1 under which each edge is open independently with probability p . Since $p > 1/2$, we have $\mathbf{P}_p\{\mathbf{0} \leftrightarrow \infty\} > 0$, so we can also define $\bar{\mathbf{P}}_p$ the probability \mathbf{P}_p conditioned on the event $\{\mathbf{0} \leftrightarrow \infty\}$,

$$\bar{\mathbf{P}}_p\{A\} = \frac{\mathbf{P}_p\{A \cap \{\mathbf{0} \leftrightarrow \infty\}\}}{\mathbf{P}_p\{\mathbf{0} \leftrightarrow \infty\}}.$$

When no confusion is possible, we will omit the subscript p .

The origin is in the infinite cluster, unless there is a path of closed edges in the dual lattice surrounding $\mathbf{0}$. In the whole paper, we take p close enough to one so that this occurs with high probability [to fix ideas, with probability greater than $1 - 2(1 - p)^4$].

Because of the conditioning, it is not possible to apply directly subadditive arguments to the sequence $D(n, 0)$. To overcome this difficulty, we adapt the ideas of [3] and consider the sequence of points of the axis which lie in the infinite cluster. This enables us to derive bounds on μ_p .

For $n \geq 1$, let $(T_n(k), 0)$ be the k th intersection of the infinite cluster and the set $\{(in, 0), i \in \mathbb{N}\}$.

¹We use notation introduced in [3]: the subscript $\mathbf{0} \leftrightarrow (n, 0)$ means that we only take n 's for which $(n, 0)$ is in the infinite component. More precisely, if $(T_1(n), 0)$ stands for the n th point of the half-line $\mathbb{N} \times \{0\}$ belonging to the infinite component, then $\lim_{n \rightarrow \infty, \mathbf{0} \leftrightarrow (n,0)} \frac{D(n,0)}{n} := \lim_{n \rightarrow \infty} \frac{D(T_1(n),0)}{T_1(n)}$.

PROPOSITION 1. *We have for all $n \geq 1$,*

$$\lim_{k \rightarrow \infty} \mathbf{E} \left(\frac{D(T_1(k), 0)}{k} \mathbb{1}_{\{\mathbf{0} \leftrightarrow \infty\}} \right) = \mu_p \leq \mathbf{E} \left(\frac{D(T_n(1), 0)}{n} \mathbb{1}_{\{\mathbf{0} \leftrightarrow \infty\}} \right).$$

PROOF. This proposition is mainly a direct consequence of Lemma 3.1 of [3]. Indeed, this lemma states that, for all $n \geq 1$, there exists a constant f such that

$$(1) \quad \lim_{k \rightarrow \infty} \frac{D(T_n(k), 0)}{nk} = f, \quad \bar{\mathbf{P}} \text{ a.s. and in } L^1(\bar{\mathbf{P}}).$$

Moreover, by subadditivity, we have $nf \leq \mathbf{E}(D(T_n(1), 0) | \mathbf{0} \leftrightarrow \infty)$ and besides

$$\mu_p = \mathbf{P}\{\mathbf{0} \leftrightarrow \infty\} f.$$

Combining these two facts, we get the upper bound. For the left equality, we now use the L^1 convergence in (1) with $n = 1$. This gives

$$\lim_{k \rightarrow \infty} \mathbf{E} \left(\frac{D(T_1(k), 0)}{k} \middle| \mathbf{0} \leftrightarrow \infty \right) = f = \frac{\mu_p}{\mathbf{P}\{\mathbf{0} \leftrightarrow \infty\}}. \quad \square$$

For p close to 1, the upper bound can be simplified using the following proposition.

PROPOSITION 2. *For all $\delta > 1$, there exists $c_\delta > 0$ such that for all $n \geq 10$ and $p \in (5/6, 1)$, we have*

$$\mathbf{E}(D(T_n(1), 0) \mathbb{1}_{\{\mathbf{0} \leftrightarrow \infty\}}) \leq \mathbf{E}(D(n, 0) \mathbb{1}_{\{\mathbf{0} \leftrightarrow (n,0) \leftrightarrow \infty\}}) + c_\delta (1 - p)^2 n^\delta.$$

To prove this proposition, we first show two lemmas.

LEMMA 1. *For all $\delta > 1$, there exists a constant $C_\delta > 0$ such that, for $n \geq 1$ and for $p \in (5/6, 1)$, we have*

$$\mathbf{E}(D^2(n, 0) \mathbb{1}_{\{\mathbf{0} \leftrightarrow (n,0) \leftrightarrow \infty\}}) \leq (C_\delta n^\delta)^2.$$

PROOF. We have

$$\mathbf{E}(D^2(n, 0) \mathbb{1}_{\{\mathbf{0} \leftrightarrow (n,0) \leftrightarrow \infty\}}) \leq n^{2\delta} + \sum_{i=n^{2\delta}}^{\infty} \mathbf{P}\{D(n, 0) \geq \sqrt{i}, \mathbf{0} \leftrightarrow (n, 0) \leftrightarrow \infty\}.$$

Fix some $q \in (0, \frac{1}{2\delta})$ such that $q + \frac{1}{2\delta} \leq \frac{1}{2}$ and for $i \geq n^{2\delta}$, let Γ_i be the box $[-i^{1/(2\delta)}, n + i^{1/(2\delta)}] \times [-\frac{i^q}{6}, \frac{i^q}{6}]$. A self avoiding path in Γ_i has less than $|\Gamma_i| = \frac{i^q}{3}(n + 2i^{1/(2\delta)}) \leq \sqrt{i}$ steps. Thus,

$$\mathbf{P}\{D(n, 0) \geq \sqrt{i}, \mathbf{0} \leftrightarrow (n, 0) \leftrightarrow \infty\} \leq \mathbf{P}\{\mathbf{0} \leftrightarrow (n, 0) \text{ in } \Gamma_i, \mathbf{0} \leftrightarrow (n, 0) \leftrightarrow \infty\}.$$

The event $\{\mathbf{0} \leftrightarrow (n, 0) \text{ in } \Gamma_i, \mathbf{0} \leftrightarrow (n, 0) \leftrightarrow \infty\}$ implies the existence in the dual of a path of closed edges starting from the border of Γ_i and having at least $\frac{i^q}{3}$ steps since it must disconnect $\mathbf{0}$ and $(n, 0)$. Using that $|\partial\Gamma_i| \leq 6i^{1/(2\delta)}$, we get

$$\mathbf{P}\{D(n, 0) \geq \sqrt{i}, \mathbf{0} \leftrightarrow (n, 0) \leftrightarrow \infty\} \leq 6i^{1/(2\delta)}(3(1 - p))^{i^q/3}.$$

This yields, for $p \in (5/6, 1)$,

$$\mathbf{E}(D^2(n, 0)\mathbb{1}_{\{\mathbf{0} \leftrightarrow \infty\}}) \leq n^{2\delta} + 6 \sum_{i=n^{2\delta}}^{\infty} i^{1/(2\delta)} \left(\frac{1}{2}\right)^{i^q/3} \leq (C_\delta n^\delta)^2. \quad \square$$

LEMMA 2. Recall that $T_n(1)$ denotes the first point among $\{n, 2n, 3n, \dots\}$ which is in the infinite component. There exists $C > 0$ such that for any $p \in (5/6, 1)$, any $n \geq 10$ and $j \geq 2$,

$$(2) \quad \mathbf{P}\{T_n(1) \geq jn\} \leq C(1 - p)^{4+\sqrt{j-2}}.$$

PROOF. For $j = 2$, the left-hand side in (2) is simply $\mathbf{P}\{(n, 0) \text{ is disconnected}\} \leq C(1 - p)^4$. For $3 \leq j \leq 10$, the event $\{T_n(1) \geq jn\}$ is included in $\{(n, 0) \leftrightarrow \infty \text{ and } (2n, 0) \leftrightarrow \infty\}$. These two points are either disconnected by two different paths or by the same path (which then has length $\geq 2n$). The latter case has a much smaller probability, and then $\mathbf{P}\{T_n(1) \geq jn\} \leq C'(1 - p)^8$ and (2) holds.

We now do the case $j \geq 10$. For each integer i , let A_i be the event that $(ni, 0)$ is disconnected, and let

$$A_{i,r} = \{(ni, 0) \text{ is disconnected by a path included in } [ni - r; ni + r] \times [-r; r]\}.$$

One plainly has that each $A_{i,r} \subset A_i$ and that $A_{i,r}, A_{j,r}$ are independent as soon as the corresponding boxes are disjoint, namely, if $2r \leq n|j - i|$. For $j \geq 2$, set $J = \lfloor \sqrt{j} \rfloor$, and we write

$$\begin{aligned} \mathbf{P}\{T_n(1) \geq jn\} &= \mathbf{P}\{A_1, A_2, \dots, A_{j-1}\} \leq \mathbf{P}\{A_J, A_{2J}, A_{(J-1) \times J}\} \\ &\leq \prod_{\ell=1}^{J-1} \mathbf{P}\{A_{\ell J, nJ/2}\} + \mathbf{P}\{\exists \ell \leq J - 1; A_J \setminus A_{\ell J, nJ/2}\} \\ &\leq (1 - p)^{4(J-1)} + J \sum_{i \geq nJ} i(3(1 - p))^i \\ &\leq (1 - p)^{4(J-1)} + 4nJ^2(3(1 - p))^{nJ} \\ &\leq C(1 - p)^{4+\sqrt{j-2}}, \end{aligned}$$

since a path disconnecting $(n\ell J, 0)$ which is not included in the box $[n\ell J - \frac{nJ}{2}; n\ell J + \frac{nJ}{2}] \times [-\frac{nJ}{2}; \frac{nJ}{2}]$ has at least nJ edges. \square

We are now able to prove Proposition 2.

PROOF OF PROPOSITION 2. We write, using Lemmas 1 and 2,

$$\begin{aligned}
 & \mathbf{E}(D(T_n(1), 0)\mathbb{1}_{\{\mathbf{0} \leftrightarrow \infty\}}) \\
 &= \sum_{j=1}^{\infty} \mathbf{E}(D(jn, 0)\mathbb{1}_{\{T_n(1)=jn\}}\mathbb{1}_{\{\mathbf{0} \leftrightarrow \infty\}}) \\
 &\leq \mathbf{E}(D(n, 0)\mathbb{1}_{\{\mathbf{0} \leftrightarrow (n,0) \leftrightarrow \infty\}}) \\
 &\quad + \sum_{j=2}^{\infty} \mathbf{E}(D(jn, 0)^2\mathbb{1}_{\{\mathbf{0} \leftrightarrow (jn,0) \leftrightarrow \infty\}})^{1/2} \mathbf{P}\{T_n(1) = jn\}^{1/2} \\
 &\leq \mathbf{E}(D(n, 0)\mathbb{1}_{\{\mathbf{0} \leftrightarrow (n,0) \leftrightarrow \infty\}}) + \sum_{j=2}^{\infty} C_\delta(jn)^\delta \mathbf{P}\{T_n(1) \geq jn\}^{1/2} \\
 &\leq \mathbf{E}(D(n, 0)\mathbb{1}_{\{\mathbf{0} \leftrightarrow (n,0) \leftrightarrow \infty\}}) + C'_\delta n^\delta (1-p)^2 \sum_{j=2}^{\infty} j^\delta \left(\frac{1}{6}\right)^{(j-2)^{1/4}} \\
 &\leq \mathbf{E}(D(n, 0)\mathbb{1}_{\{\mathbf{0} \leftrightarrow (n,0) \leftrightarrow \infty\}}) + c_\delta (1-p)^2 n^\delta. \quad \square
 \end{aligned}$$

3. Percolation on a strip and TASEP. As a first step toward our main result, we shall study distances in percolation on an infinite strip. We will reduce this problem to the analysis of a finite particle system; this allows explicit computations from which will result the bounds in Theorem 1.

Here is the context we will deal with in the whole section. Fix an integer K and $\varepsilon \in (0, 1)$. Let \mathbb{Z}_K be the infinite strip $\mathbb{Z} \times \llbracket -K, K \rrbracket$, with three kinds of edges:

- Vertical edges $\{(i, j) \rightarrow (i, j + 1), i \in \mathbb{Z}, j \in \llbracket -K, K - 1 \rrbracket\}$;
- Horizontal edges $\{(i, j) \rightarrow (i + 1, j), i \in \mathbb{Z}, j \in \llbracket -K, K \rrbracket\}$;
- Diagonal edges $\{(i, j) \rightarrow (i + 1, j + 1) \text{ and } (i, j) \rightarrow (i + 1, j - 1)\}$.

We now consider a random subgraph of \mathbb{Z}_K equipped with distances:

CROSS MODEL. (i) *Vertical and horizontal edges have length 1, whereas diagonal edges have length 2.*

(ii) *Diagonal and vertical edges are open.*

(iii) *Each horizontal edge is open (resp., closed) independently with probability $1 - \varepsilon$ (resp., ε).*

For $i \geq 0$ and $j \in \llbracket -K, K \rrbracket$, let $D^{K,d}(i, j)$ be the distance between $(0, 0)$ and (i, j) inside \mathbb{Z}_K in the **Cross Model** (see an example in Figure 1); the “ d ” stands for the addition of diagonal edges. Sometimes we also need to consider the distance between two vertices x, y of \mathbb{Z}_K , which will be denoted by $D^{K,d}(x \rightarrow y)$.

Since vertical and diagonal edges are open, every point in \mathbb{Z}_K is connected in the **Cross Model** to $\mathbf{0}$, hence, $D^{K,d}(i, j)$ is finite for every i, j . We also set

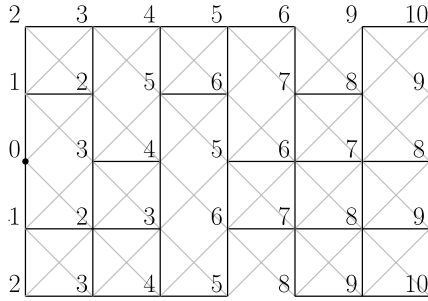


FIG. 1. A configuration of percolation in \mathbb{Z}_K for $K = 2$ and the associated distances $\mathbf{D}^{K,d}$. Note the importance of diagonal edges: $\mathbf{D}^{K,d}(3, 0) = 5$ instead of 7 if there was none.

$\mathbf{D}_i^{K,d} = \{D^{K,d}(i, j), j \in \llbracket -K, K \rrbracket\}$. By construction, we have along each vertical edge $|D^{K,d}(i, j) - D^{K,d}(i, j + 1)| = 1$.

The main goal of this section is to estimate $D^{K,d}(n, 0)$, when K, n are large. To do so, we introduce a particle system associated to the process $(\mathbf{D}_i^{K,d})_{i \geq 0}$. Let us consider the state space $\{\bullet, \circ\}^{2K}$ (identified to $\{1, 0\}^{2K}$), and denote its elements in the form

$$(y^{-K+1}, y^{-K+2}, \dots, y^0, y^1, \dots, y^K).$$

Let $(\mathbf{Y}_i)_{i \geq 0}$ be the process with values in $\{\bullet, \circ\}^{2K}$ defined as follows:

$$\forall j \in \llbracket -K + 1, K \rrbracket \quad Y_i^j = \begin{cases} \bullet = 1, & \text{if } D^{K,d}(i, j) = D^{K,d}(i, j - 1) - 1, \\ \circ = 0, & \text{if } D^{K,d}(i, j) = D^{K,d}(i, j - 1) + 1. \end{cases}$$

Let's say that the site j is *occupied* by a particle at time i if $Y_i^j = \bullet$ and *empty* otherwise (see Figure 2).

DEFINITION 1. The synchronous *Totally Asymmetric Simple Exclusion Process* (TASEP) on $\llbracket -K + 1, K \rrbracket$ with jump rate α , exit rate β and entry rate γ is

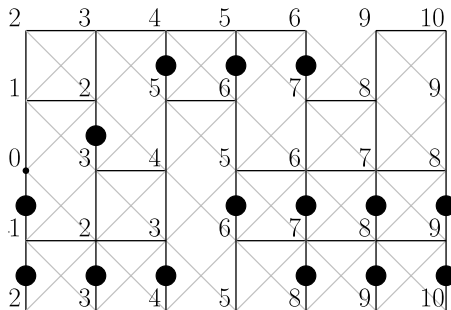
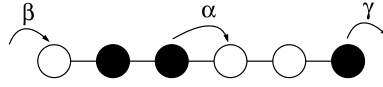


FIG. 2. The same configuration with particles.

the Markov chain with state space $\{\bullet, \circ\}^{2K}$ defined as follows:



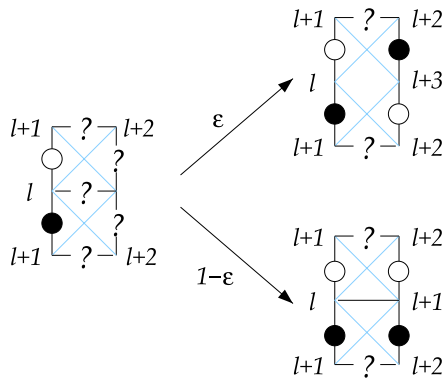
- at time $t + 1$, for each j , a particle at position $j = -K + 1, \dots, K - 1$ moves one step forward if the site $j + 1$ is empty at time t , with probability α and independently from the other particles;
- at time $t + 1$, a particle enters the system at position $-K + 1$ if site $-K + 1$ is empty at time t , with probability β ;
- at time $t + 1$, if there were a particle at position K at time t , it exits the system with probability γ .

PROPOSITION 3 (The particles follow a TASEP). *The processes $(\mathbf{D}_i^{K,d})_{i \geq 0}$ and $(\mathbf{Y}_i)_{i \geq 0}$ are Markov chains. Moreover, $(\mathbf{Y}_i)_{i \geq 0}$ has the law of discrete time synchronous TASEP on $\llbracket -K + 1, K \rrbracket$ with jump rate ε and exit and entry rate ε .*

PROOF. Let us note that since all the vertical edges are open, the optimal path from $\mathbf{0}$ to $(i, j) \in \mathbb{Z}_K, i \geq 0$ never does a step from right to left. Moreover, the vector $\mathbf{D}_{i+1}^{K,d}$ depends only on $\mathbf{D}_i^{K,d}$ and on the edges $\{(i, j) \rightarrow (i + 1, j), j \in \llbracket -K, K \rrbracket\}$, hence, it is Markov.

Let us now prove that the displacement of particles follows the rules of TASEP. We detail the case in which there is a particle on the edge $(i, j - 1) \rightarrow (i, j)$ but no particle on the edge $(i, j) \rightarrow (i, j + 1)$, that is, at time i there is a particle in position j and no particle in position $j + 1$.

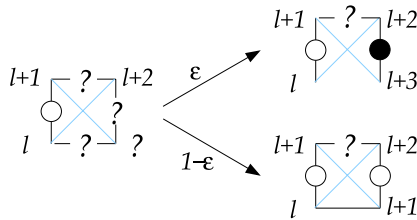
This means that if $D^{K,d}(i, j) = \ell$, then $D^{K,d}(i, j - 1) = D^{K,d}(i, j + 1) = \ell + 1$. Then, whether the horizontal edges $(i, j - 1) \rightarrow (i + 1, j - 1)$ and $(i, j + 1) \rightarrow (i + 1, j + 1)$ are open or closed, we have $D^{K,d}(i + 1, j - 1) = D^{K,d}(i + 1, j + 1) = \ell + 2$ [this is because the two diagonal edges starting from (i, j) are open]; see the left part of the figure below:



Now, $D^{K,d}(i + 1, j)$ depends only on the edge $(i, j) \rightarrow (i + 1, j)$: it is equal to $\ell + 1$ if this edge is open and the particle lying at j stays put. If the edge $(i, j) \rightarrow (i + 1, j)$ is closed, $D^{K,d}(i + 1, j) = \ell + 3$, which corresponds for the particle lying at j to a move to $j + 1$.

We leave the cases in which a particle is followed by another particle and in which an empty edge is followed by an empty edge, which are similar, to the reader.

We do the bottom boundary case (when a particle may enter the system; see the figure below). Assume that there is no particle at time i in position $-K + 1$. This means that if we set $\ell = D(i, -K)$, then $D(i, -K + 1) = \ell + 1$. If the edge $(i, -K) \rightarrow (i + 1, -K)$ is open, then $D(i + 1, -K) = \ell + 1$ and there is no particle at time $i + 1$ in position $-K + 1$. Otherwise $D(i + 1, -K) = \ell + 3$ and a particle appears at time $i + 1$ in $-K + 1$.



The right-boundary case (when a particle exits) is similar. \square

We have thus seen in the proof that the knowledge of $(Y_i)_{i \geq 0}$ fully determines the metric $D^{K,d}$ using the following recursive identity:

$$D^{K,d}(i + 1, j) = D^{K,d}(i, j) + 1 + 2 \cdot \mathbb{1}_{\{Y_i^j = \bullet, Y_i^{j+1} = \circ, Y_{i+1}^j = \circ, Y_{i+1}^{j+1} = \bullet\}}.$$

Let $\nu_{K,\epsilon}$ be the stationary measure of the synchronous TASEP $(Y_i)_{i \geq 0}$. Let

$$\nu_{K,\epsilon}(\bullet, \circ) \stackrel{\text{def}}{=} \nu_{K,\epsilon}(y^0 = \bullet, y^1 = \circ).$$

PROPOSITION 4. *We have the following asymptotics for the distances on \mathbb{Z}_K in the Cross Model:*

$$\lim_{n \rightarrow \infty} \frac{1}{n} \mathbf{E}(D^{K,d}(n, 0)) = 1 + 2\epsilon \nu_{K,\epsilon}(\bullet, \circ).$$

PROOF. We have seen in the proof of Proposition 3 that

$$D^{K,d}(i + 1, 0) = D^{K,d}(i, 0) + 1,$$

unless a particle has moved at time i from position 0 to 1, in which case $D^{K,d}(i + 1, 0) = D^{K,d}(i, 0) + 3$. This shows that

$$\begin{aligned} \mathbf{E}(D^{K,d}(i + 1, 0)) &= \mathbf{E}(D^{K,d}(i, 0)) + 1 \\ &\quad + 2\mathbf{P}\{Y_i^0 = \bullet, Y_i^1 = \circ, \{(i, 0) \rightarrow (i + 1, 0) \text{ is closed}\}\}, \end{aligned}$$

thus,

$$\mathbf{E}(D^{K,d}(n, 0)) = n + 2\varepsilon \sum_{j=0}^{n-1} \mathbf{P}\{Y_j^0 = \bullet, Y_j^1 = \circ\},$$

which gives, by the Markov chain ergodic theorem, the proof of the proposition. □

We thus need an estimate of $\nu_{K,\varepsilon}(\bullet, \circ)$. It turns out that the stationary measure of the synchronous TASEP was studied in detail by Evans, Rajewsky and Speer [2] using a matrix ansatz.

PROPOSITION 5. *The following identities relative to $\nu_{K,\varepsilon}(\bullet, \circ)$ hold:*

(i) *For all K, ε ,*

$$\nu_{K,\varepsilon}(\bullet, \circ) = \frac{A_\varepsilon(K)}{\varepsilon A_\varepsilon(K) + A_\varepsilon(K + 1)},$$

with $A_\varepsilon(K) = \frac{1}{K} \sum_{k=1}^K \binom{K}{k} \binom{K}{k+1} (1 - \varepsilon)^k$.
(ii)

$$\lim_{K \rightarrow \infty} \nu_{K,\varepsilon}(\bullet, \circ) = \frac{1 - \sqrt{1 - \varepsilon}}{2\varepsilon}.$$

(iii) *For all $\alpha > 0$,*

$$\lim_{\varepsilon \rightarrow 0} \nu_{\varepsilon^{-\alpha}, \varepsilon}(\bullet, \circ) = \frac{1}{4}.$$

PROOF. The first two assertions are consequences of (4.24), (8.21) and (10.13) of [2]. For (iii), we are led to prove that $\lim_{\varepsilon \rightarrow 0} \frac{A_\varepsilon(\varepsilon^{-\alpha} + 1)}{A_\varepsilon(\varepsilon^{-\alpha})} = 4$.

Denote

$$a(K, k) \stackrel{\text{def}}{=} \binom{K}{k} \binom{K}{k+1} (1 - \varepsilon)^k.$$

The ratio

$$(3) \quad \frac{a(K, k + 1)}{a(K, k)} = (1 - \varepsilon) \frac{(K - k)(K - k - 1)}{(k + 1)(k + 2)}$$

is asymptotically equal to $(1 - \varepsilon) \left(\frac{K-k}{k}\right)^2$ for large values of k and $K - k$. Therefore, the sequence $(a(K, k))_{1 \leq k \leq K}$ increases from 1 to some $k_{\max}(K)$ and decreases after. Moreover, $k_{\max}(K) \sim K \left(\frac{1}{2} - \frac{\varepsilon}{8}\right)$.

For $K > 0$ and $\beta \in (0, 1)$, let us decompose the sum $KA_\varepsilon(K)$ into

$$\begin{aligned} & \sum_{k=1}^{K(1/2-\varepsilon^\beta)-1} a(K, k) + \sum_{k=K(1/2-\varepsilon^\beta)}^{K/2} a(K, k) + \sum_{k=K/2+1}^{K(1/2+\varepsilon^\beta)} a(K, k) \\ & + \sum_{k=K(1/2+\varepsilon^\beta)+1}^K a(K, k) \end{aligned}$$

and denote by $A_\beta^-(K)$, $B_\beta^-(K)$, $B_\beta^+(K)$, $A_\beta^+(K)$, the four successive sums. Note first, from the analysis of the ratio (3), that $A_\beta^-(K)$ and $A_\beta^+(K)$ are both subgeometric sums with rate $1 - C\varepsilon^\beta$. This implies

$$\begin{aligned} A_\beta^+(K) &\leq C\varepsilon^{-\beta} a(K, K(\tfrac{1}{2} + \varepsilon^\beta)), \\ A_\beta^-(K) &\leq C\varepsilon^{-\beta} a(K, K(\tfrac{1}{2} - \varepsilon^\beta)). \end{aligned}$$

In the same time, from the variations of the sequence $(a(K, k))_{1 \leq k \leq K}$, we deduce

$$\begin{aligned} B_\beta^+(K) &\geq K\varepsilon^\beta a(K, K(\tfrac{1}{2} + \varepsilon^\beta)), \\ B_\beta^-(K) &\geq K\varepsilon^\beta a(K, K(\tfrac{1}{2} - \varepsilon^\beta)). \end{aligned}$$

Therefore, as soon as the $K \gg \varepsilon^{-2\beta}$, the ratio $\frac{KA_\varepsilon(K)}{B_\beta^-(K)+B_\beta^+(K)}$ goes to 1.

Now, for all k ,

$$\frac{a(K+1, k)}{a(K, k)} = \frac{(K+1)^2}{(K-k)(K-k+1)}.$$

This ratio is between $4(1 - c\varepsilon^\beta)$ and $4(1 + C\varepsilon^\beta)$ when k is between $K(\frac{1}{2} - \varepsilon^\beta)$ and $K(\frac{1}{2} + \varepsilon^\beta)$. This implies that, for all $\beta > 0$, the ratio $\frac{B_\beta^-(K+1)+B_\beta^+(K+1)}{B_\beta^-(K)+B_\beta^+(K)}$ converges to 4 as ε goes to 0 and K goes to ∞ . Consequently, the same occurs also for $\frac{(K+1)A_\varepsilon(K+1)}{KA_\varepsilon(K)}$, as soon as $K \gg \varepsilon^{-2\beta}$. We choose $\beta = \min\{1, \frac{\alpha}{4}\}$ to prove the result. □

We will need further the following bounds on $\mathbf{E}(D^{K,d}(n, 0))$.

PROPOSITION 6. For $n \geq 0$, we have

$$n(1 + 2\varepsilon\nu_{K,\varepsilon}(\bullet, \circ)) \leq \mathbf{E}(D^{K,d}(n, 0)) \leq n(1 + 2\varepsilon\nu_{K,\varepsilon}(\bullet, \circ)) + 2K.$$

PROOF. By subadditivity of $(\mathbf{E}(D^{K,d}(n, 0)))_{n \geq 0}$, the sequence $\mathbf{E}(D^{K,d}(n, 0))/n$ is decreasing. Together with Proposition 4, this proves the left inequality.

For the right inequality, the idea is to start the Markov chain $(\mathbf{Y}_i)_{i \geq 0}$ from its stationary distribution. Let $\tilde{\mathbf{Y}}_0 = (\tilde{Y}_0^j, j \in \llbracket -K + 1, K \rrbracket)$ with law $\nu_{K,\varepsilon}$. Take $\tilde{D}^{K,d}(0, 0) = 0$ and define inductively $\tilde{D}^{K,d}(0, j)$ for each j such that

$$\tilde{D}^{K,d}(0, j) = \begin{cases} \tilde{D}^{K,d}(0, j - 1) - 1, & \text{if } \tilde{Y}_0^j = \bullet, \\ \tilde{D}^{K,d}(0, j - 1) + 1, & \text{if } \tilde{Y}_0^j = \circ. \end{cases}$$

If $(\tilde{\mathbf{D}}_i^{K,d})$ is a realization of the chain starting from $\tilde{D}_0^{K,d}$, then, by Proposition 3, we have

$$\mathbf{E}(\tilde{D}^{K,d}(n, 0)) = n(1 + 2\varepsilon\nu_{K,\varepsilon}(\bullet, \circ)).$$

By construction of the chain, there is a (random) J such that

$$\tilde{D}^{K,d}(n, 0) = D^{K,d}((0, J) \rightarrow (n, 0)) + \tilde{D}^{K,d}(0, J),$$

where $D^{K,d}$ is, as before, the true distance after percolation in \mathbb{Z}_K . Using the triangular inequality, we get

$$\begin{aligned} D^{K,d}(n, 0) &\leq K + D^{K,d}((0, J) \rightarrow (n, 0)) \\ &\leq K + \tilde{D}^{K,d}(n, 0) - \tilde{D}^{K,d}(0, J) \\ &\leq 2K + \tilde{D}^{K,d}(n, 0). \end{aligned}$$

Taking expectation gives the expected bound. \square

If we gather the results obtained so far in this section, we roughly obtain that for the **Cross Model**,

$$\mathbf{E}(D^{K,d}(n, 0)) \approx n(1 + 2\varepsilon\nu_{K,\varepsilon}(\bullet, \circ)) \approx n\left(1 + \frac{\varepsilon}{2}\right).$$

In order to apply this result to usual percolation on strips (with horizontal and vertical edges open with probability $1 - \varepsilon$), we have to prove that distances in both models differ very little. Fortunately, it happens that distances in both models are quite similar as soon as there are no contiguous closed edges, which is the case with high probability in any fixed rectangle, when ε is small.

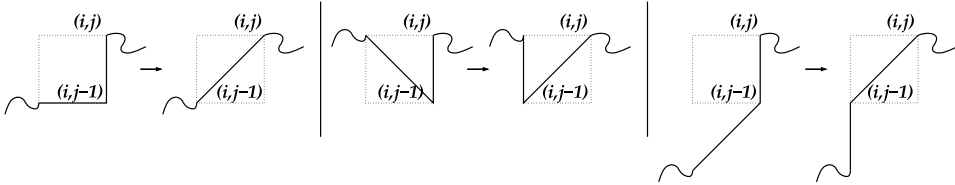
We first choose in the **Cross Model** a particular path among all the minimal paths:

LEMMA 3. *For the Cross Model, for each K, n , there exists a path from $(0, 0)$ to $(n, 0)$ of minimal length that only goes through horizontal and diagonal edges, except possibly through the vertical edges of the first column $\{0\} \times \llbracket -K, K \rrbracket$.*

PROOF. Consider one of the minimal paths from $(0, 0)$ to $(n, 0)$; we will modify this path \mathcal{P} to get one which satisfies the desired property. Among all the vertical edges of \mathcal{P} , let $\mathcal{E} = (i, j - 1) \rightarrow (i, j)$ be the one for which

- (1) i is maximal,
- (2) among them, j is minimal.

In this way, there are no vertical edges either to the right of \mathcal{E} or below it. There are three cases according to whether the other edge joining $(i, j - 1)$ in \mathcal{P} goes to $(i - 1, j - 1)$, to $(i - 1, j)$ or to $(i - 1, j - 2)$. In each of these three cases we can do a substitution that removes the vertical edge or moves it to the left:



This substitution does not change the length of the path, it is thus still optimal. After iterating the process, there may remain vertical edges only on the first column. \square

PROPOSITION 7. *Consider a standard percolation on \mathbb{Z}_K where each horizontal and vertical edge is open with probability $1 - \varepsilon$. Denote D^K the associated distance. Let $A = A(K, n, \varepsilon)$ be the event “in each square of area 1 of $\llbracket 0; n \rrbracket \times \llbracket -K; K \rrbracket$, that is, of vertices $\{(i, j), (i, j + 1), (i + 1, j + 1), (i, j + 1)\}$, at most one edge is closed”. Then, for each n, K ,*

$$\mathbf{E}(D^K(n, 0) | A) \leq \mathbf{E}(D^{K,d}(n, 0)) + 3K.$$

PROOF. On the event A , adding diagonal edges with length 2 does not decrease the length of optimal paths since either the path $(i, j) \rightarrow (i, j + 1) \rightarrow (i + 1, j + 1)$ or $(i, j) \rightarrow (i + 1, j) \rightarrow (i + 1, j + 1)$ is open and, moreover, there is at most a distance 3 between the two extremities of any edge of $\llbracket 0; n \rrbracket \times \llbracket -K; K \rrbracket$.

Thanks to Lemma 3, there is always for the **Cross Model** a path of minimal length using only horizontal and diagonal edges except maybe on the at most K vertical steps along the first column $\{0\} \times \llbracket -K; K \rrbracket$. Thus, on the event A , we get

$$D^K(n, 0) \leq D^{K,d}(n, 0) + 3K.$$

This yields

$$\mathbf{E}(D^K(n, 0) | A) \leq \mathbf{E}(D^{K,d}(n, 0) | A) + 3K.$$

Let us note now that A is an increasing event and $-D^{K,d}(n, 0)$ is an increasing random variable. Thus, the FKG inequality (see [5]) yields

$$\mathbf{E}(-D^{K,d}(n, 0)\mathbf{1}_A) \geq \mathbf{E}(-D^{K,d}(n, 0))\mathbf{P}\{A\},$$

which can be rewritten

$$\mathbf{E}(D^{K,d}(n, 0) | A) \leq \mathbf{E}(D^{K,d}(n, 0)). \quad \square$$

4. The lower bound. We now return to the original model and consider percolation on \mathbb{Z}^2 where each edge is closed independently with probability $\varepsilon = 1 - p$. Recall that $D(i, j)$ denotes the distance between the origin and $(i, j) \in \mathbb{Z}^2$. Using Proposition 1, in order to prove the lower bound in Theorem 1, we just need to show that

$$\lim_{k \rightarrow \infty} \frac{1}{k} \mathbf{E}(D(T_1(k), 0) \mathbb{1}_{\{0 \leftrightarrow \infty\}}) \geq 1 + \frac{\varepsilon}{2} + o(\varepsilon).$$

Let $D^d(x)$ be the distance between the origin and x in \mathbb{Z}^2 , with diagonal and vertical edges all open. Adding edges decreases the distances: $D^d(x)$ is always smaller than $D(x)$. Thus, we have

$$\begin{aligned} \mathbf{E}(D(T_1(k), 0) \mathbb{1}_{\{0 \leftrightarrow \infty\}}) &\geq \mathbf{E}(D^d(T_1(k), 0) \mathbb{1}_{\{0 \leftrightarrow \infty\}}) \\ &\geq \mathbf{E}(D^d(k, 0) \mathbb{1}_{\{0 \leftrightarrow \infty\}}), \end{aligned}$$

since $T_1(k) \geq k$ and the sequence $(D^d(n, 0))$ is increasing (thanks to vertical edges).

Note that every minimal path from the origin to $(k, 0)$ (with diagonal and vertical edges open) has a length less than $2k$ and lies in the strip \mathbb{Z}_k . Therefore,

$$\mathbf{E}(D^d(k, 0) \mathbb{1}_{\{0 \leftrightarrow \infty\}}) = \mathbf{E}(D^{k,d}(k, 0) \mathbb{1}_{\{0 \leftrightarrow \infty\}}).$$

Using Proposition 6, we have $\mathbf{E}(D^{k,d}(k, 0)) \geq k(1 + 2\varepsilon v_{k,\varepsilon}(\bullet, \circ))$. Besides,

$$\mathbf{E}(D^{k,d}(k, 0)(1 - \mathbb{1}_{\{0 \leftrightarrow \infty\}})) \leq 2k\mathbf{P}\{0 \nleftrightarrow \infty\} \leq 4k\varepsilon^4.$$

We get

$$\mathbf{E}(D(T_1(k), 0) \mathbb{1}_{\{0 \leftrightarrow \infty\}}) \geq k(1 + 2\varepsilon v_{k,\varepsilon}(\bullet, \circ) - 4\varepsilon^4).$$

Letting k tends to infinity, we obtain with Proposition 5 the desired lower bound.

5. The upper bound: A short path. As in the previous section, we consider standard percolation on \mathbb{Z}^2 where each edge is closed with probability $\varepsilon = 1 - p$. Recall that Proposition 2 states that for any $\delta > 1$ there exists a $c_\delta > 0$ such that, for all ε small enough and $n \geq 10$,

$$(4) \quad \mu_p \leq \frac{\mathbf{E}(D(n, 0) \mathbb{1}_{\{0 \leftrightarrow (n,0) \leftrightarrow \infty\}})}{n} + c_\delta \varepsilon^2 n^{\delta-1}.$$

So to prove Theorem 1, it is sufficient to find $n = n(\varepsilon) \geq 10$ such that $\varepsilon n^{\delta-1} = o(1)$ and

$$\mathbf{E}(D(n, 0) \mathbb{1}_{\{0 \leftrightarrow (n,0) \leftrightarrow \infty\}}) \leq n \left(1 + \frac{\varepsilon}{2} + o(\varepsilon) \right).$$

Fix $\ell > 1$ and $K, n > 2\ell$ and define the boxes $(C_i)_{i \geq 0}$ by

$$C_i = [\ell, n - \ell] \times [(2i - 1)K + 1, (2i + 1)K].$$

Let E_i denote the event “in each square of area 1 of C_i , that is, of vertices $\{(i, j), (i, j + 1), (i + 1, j + 1), (i, j + 1)\}$, at most one edge is closed”. Let us note that the events $(E_i)_{i \geq 0}$ are independent and have the same probability. Moreover, we have

$$\begin{aligned} \mathbf{P}\{E_i^c\} &\leq |C_i| \mathbf{P}\{\text{more than 2 edges are closed in a given square}\} \\ &\leq 2Kn(6\varepsilon^2 + 4\varepsilon^3 + \varepsilon^4) \leq 22Kn\varepsilon^2. \end{aligned}$$

Hence, if $I = \inf\{i \geq 0, E_i\}$, $I + 1$ is geometrically distributed with parameter $\mathbf{P}\{E_0\}$.

Let c_i, c'_i denote the vertical boundaries of C_i , that is, $c_i \stackrel{\text{def}}{=} \{\ell\} \times [(2i - 1)K + 1, (2i + 1)K]$ and $c'_i \stackrel{\text{def}}{=} \{n - \ell\} \times [(2i - 1)K + 1, (2i + 1)K]$ and $\varepsilon_i, \varepsilon'_i$ the boxes defined by

$$\begin{aligned} \varepsilon_i &= [-\ell, \ell] \times [-K, (2i + 1)K], \\ \varepsilon'_i &= [n - \ell, n + \ell] \times [-K, (2i + 1)K]. \end{aligned}$$

Let B_i be the event (see Figure 3)

$$B_i = \{\mathbf{0} \leftrightarrow c_i \text{ in } \varepsilon_i\} \cap \{(n, 0) \leftrightarrow c'_i \text{ in } \varepsilon'_i\}.$$

We have

$$\begin{aligned} \mathbf{E}(D(n, 0)\mathbb{1}_{\{\mathbf{0} \leftrightarrow (n, 0) \leftrightarrow \infty\}}) &\leq \sum_{i=0}^{\infty} \mathbf{E}(\mathbb{1}_{\{I=i\} \cap B_i} D(n, 0)) \\ (5) \qquad \qquad \qquad &+ \sum_{i=0}^{\infty} \mathbf{E}(D(n, 0)\mathbb{1}_{\{I=i\} \cap B_i^c \cap \{\mathbf{0} \leftrightarrow (n, 0) \leftrightarrow \infty\}}). \end{aligned}$$

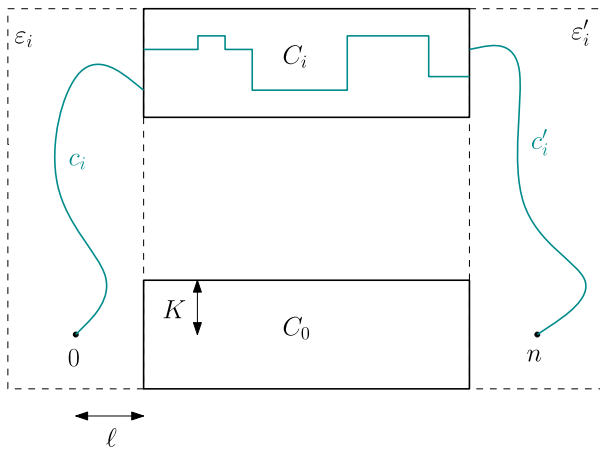


FIG. 3. The sketch of an almost optimal path, on the event $B_i \cap \{I = i\}$.

Let $\chi_1(i)$ [resp., $\chi'_1(i)$] denote the distance between $\mathbf{0}$ and the segment c_i inside the box ε_i [resp., $(n, 0)$ and the segment c'_i inside the box ε'_i]. Denote also $\chi_2(i)$ the distance between $(\ell, 2iK)$ and $(n - \ell, 2iK)$ inside the box C_i . We have

$$(6) \quad \begin{aligned} D(n, 0) &\leq \chi_1(i) + \chi'_1(i) + \chi_2(i) + \max_{x \in c_i} D(x \rightarrow (\ell, 2iK)) \\ &\quad + \max_{y \in c'_i} D(y \rightarrow (n - \ell, 2iK)). \end{aligned}$$

Moreover, on the event $\{I = i\} \cap B_i$, the r.h.s. of this inequality is finite and we have

$$(7) \quad \chi_1(i) \leq |\varepsilon_i| = 4\ell(i + 1)K, \quad \chi'_1(i) \leq |\varepsilon'_i| = 4\ell(i + 1)K,$$

$$(8) \quad \max_{x \in c_i} D(x \rightarrow (\ell, 2iK)) \leq 3K, \quad \max_{y \in c'_i} D(y \rightarrow (n - \ell, 2iK)) \leq 3K.$$

To bound $\chi_2(i)$, let us note that $\chi_2(i)$ only depends on the edges inside the box C_i . Thus, we have

$$\begin{aligned} \mathbf{E}(\chi_2(i)\mathbb{1}_{\{I=i\} \cap B_i}) &\leq \mathbf{E}(\chi_2(i)\mathbb{1}_{\{I=i\}}) \\ &= \mathbf{E}(\chi_2(i)|I = i)\mathbf{P}\{I = i\} \\ &= \mathbf{E}(\chi_2(0)|I = 0)\mathbf{P}\{I = i\}. \end{aligned}$$

Moreover, the event $\{I = 0\}$ coincides with the event $A(K, n - 2\ell, \varepsilon)$ defined in Proposition 7. This yields, using Propositions 6 and 7,

$$(9) \quad \mathbf{E}(\chi_2(0)|I = 0) \leq \mathbf{E}(D^{K,d}(n - 2\ell, 0)) + 3K \leq n(1 + 2\varepsilon\nu_{K,\varepsilon}(\bullet, \circ)) + 5K.$$

Combining (6), (7), (8), (9), we get

$$(10) \quad \begin{aligned} \sum_{i=0}^{\infty} \mathbf{E}(\mathbb{1}_{\{I=i\} \cap B_i} D(n, 0)) &\leq n(1 + 2\varepsilon\nu_{K,\varepsilon}(\bullet, \circ)) + 5K \\ &\quad + K(8\ell\mathbf{E}(I + 1) + 6). \end{aligned}$$

For the second term in the right-hand side of (5), using the Hölder inequality, we get

$$(11) \quad \begin{aligned} &\mathbf{E}(D(n, 0)\mathbb{1}_{\{I=i\} \cap B_i^c \cap \{0 \leftrightarrow (n,0) \leftrightarrow \infty\}}) \\ &\leq \mathbf{P}\{B_i^c \cap \{I = i\} \cap \{\mathbf{0} \leftrightarrow (n, 0) \leftrightarrow \infty\}\}^{1/2} \\ &\quad \times \mathbf{E}(D^2(n, 0)\mathbb{1}_{\{\mathbf{0} \leftrightarrow (n,0) \leftrightarrow \infty\}})^{1/2}. \end{aligned}$$

Lemma 1 yields

$$\mathbf{E}(D^2(n, 0)\mathbb{1}_{\{\mathbf{0} \leftrightarrow (n,0) \leftrightarrow \infty\}})^{1/2} \leq C_\delta n^\delta.$$

Besides, we have

$$\begin{aligned} \mathbf{P}\{B_i^c \cap \{I = i\} \cap \{\mathbf{0} \leftrightarrow (n, 0) \leftrightarrow \infty\}\} &\leq 2\mathbf{P}\{\{0 \leftrightarrow c_i \text{ in } \varepsilon_i\} \cap \{0 \leftrightarrow \partial\varepsilon_i\} \cap \{I = i\}\} \\ &= 2\mathbf{P}\{\{0 \leftrightarrow c_i \text{ in } \varepsilon_i\} \cap \{0 \leftrightarrow \partial\varepsilon_i\}\} \mathbf{P}\{I = i\}, \end{aligned}$$

since the two first events only depend on the edges inside the box ε_i and the event $\{I = i\}$ only depends on the edges inside the box C_i . If $\mathbf{0} \leftrightarrow \partial\varepsilon_i$ but is not connected to c_i in the box ε_i , then there exists in the dual graph a path of closed edges with at least 2ℓ edges. Hence,

$$\mathbf{P}\{\{0 \leftrightarrow c_i \text{ in } \varepsilon_i\} \cap \{0 \leftrightarrow \partial\varepsilon_i\}\} \leq 2K(i + 1)2\ell(3\varepsilon)^{2\ell}.$$

Plugging this into (11) gives

$$\begin{aligned} (12) \quad &\sum_{i=0}^{\infty} \mathbf{E}(\mathbb{1}_{\{I=i\}} \mathbb{1}_{B_i^c} D(n, 0) \mathbb{1}_{\{\mathbf{0} \leftrightarrow (n,0) \leftrightarrow \infty\}}) \\ &\leq (8\ell K)^{1/2} (3\varepsilon)^\ell C_\delta n^\delta \sum_{i=0}^{\infty} \mathbf{P}\{I = i\}^{1/2} (i + 1)^{1/2}. \end{aligned}$$

Recall now that $I + 1$ is a geometric random variable with parameter $\mathbf{P}\{E_0\} \geq 1 - 22Kn\varepsilon^2$. Thus, there exists $C < \infty$ such that, for any K, n, ε are such that $22Kn\varepsilon^2 \leq \frac{1}{2}$, we have

$$\sum_{i=0}^{\infty} \mathbf{P}\{I = i\}^{1/2} (i + 1)^{1/2} \leq C \quad \text{and} \quad \mathbf{E}(I) \leq C.$$

Combining (4), (5), (10) and (12), we get, for $\varepsilon \in (0, \frac{1}{6})$, $K, n \geq 2\ell$ and such that $22Kn\varepsilon^2 \leq \frac{1}{2}$,

$$\mu_p \leq (1 + 2\varepsilon v_{K,\varepsilon}(\bullet, \circ)) + C_{\delta,\ell} \left(n^{\delta-1} \varepsilon^\ell K^{1/2} + \frac{K}{n} + \varepsilon^2 n^{\delta-1} \right),$$

where $C_{\delta,\ell}$ is a constant depending only on ℓ and $\delta > 1$. Take now $\ell = 3$, $n = \varepsilon^{-3/2}$, $K = \varepsilon^{-1/4}$ and $\delta = 3/2$. We get

$$\mu_p \leq 1 + 2\varepsilon v_{\varepsilon^{-1/4},\varepsilon}(\bullet, \circ) + C\varepsilon^{5/4}.$$

We conclude by using Proposition 5.

REFERENCES

[1] DURRETT, R. (1984). Oriented percolation in two dimensions. *Ann. Probab.* **12** 999–1040. [MR0757768](#)
 [2] EVANS, M. R., RAJEWSKY, N. and SPEER, E. R. (1999). Exact solution of a cellular automaton for traffic. *J. Stat. Phys.* **95** 45–96. [MR1705581](#)
 [3] GARET, O. and MARCHAND, R. (2004). Asymptotic shape for the chemical distance and first-passage percolation on the infinite Bernoulli cluster. *ESAIM Probab. Stat.* **8** 169–199 (electronic). [MR2085613](#)

- [4] GÄRTNER, J. and MOLCHANOV, S. A. (1990). Parabolic problems for the Anderson model. I. Intermittency and related topics. *Comm. Math. Phys.* **132** 613–655. [MR1069840](#)
- [5] GRIMMETT, G. (1999). *Percolation*, 2nd ed. *Grundlehren der Mathematischen Wissenschaften [Fundamental Principles of Mathematical Sciences]* **321**. Springer, Berlin. [MR1707339](#)
- [6] HAMMERSLEY, J. M. and WELSH, D. J. A. (1965). First-passage percolation, subadditive processes, stochastic networks, and generalized renewal theory. In *Proc. Internat. Res. Semin., Statist. Lab., Univ. California, Berkeley, CA* 61–110. Springer, New York. [MR0198576](#)
- [7] KESTEN, H. (1986). Aspects of first passage percolation. In *École D'été de Probabilités de Saint-Flour, XIV—1984. Lecture Notes in Math.* **1180** 125–264. Springer, Berlin. [MR0876084](#)

UNIVERSITÉ PARIS OUEST
MODAL'X-BÂTIMENT G
200 AVENUE DE LA RÉPUBLIQUE 92000 NANTERRE (F)
FRANCE
E-MAIL: anne-laure.basdevant@u-paris10.fr
nathanael.enriquez@u-paris10.fr
lucas.gerin@u-paris10.fr